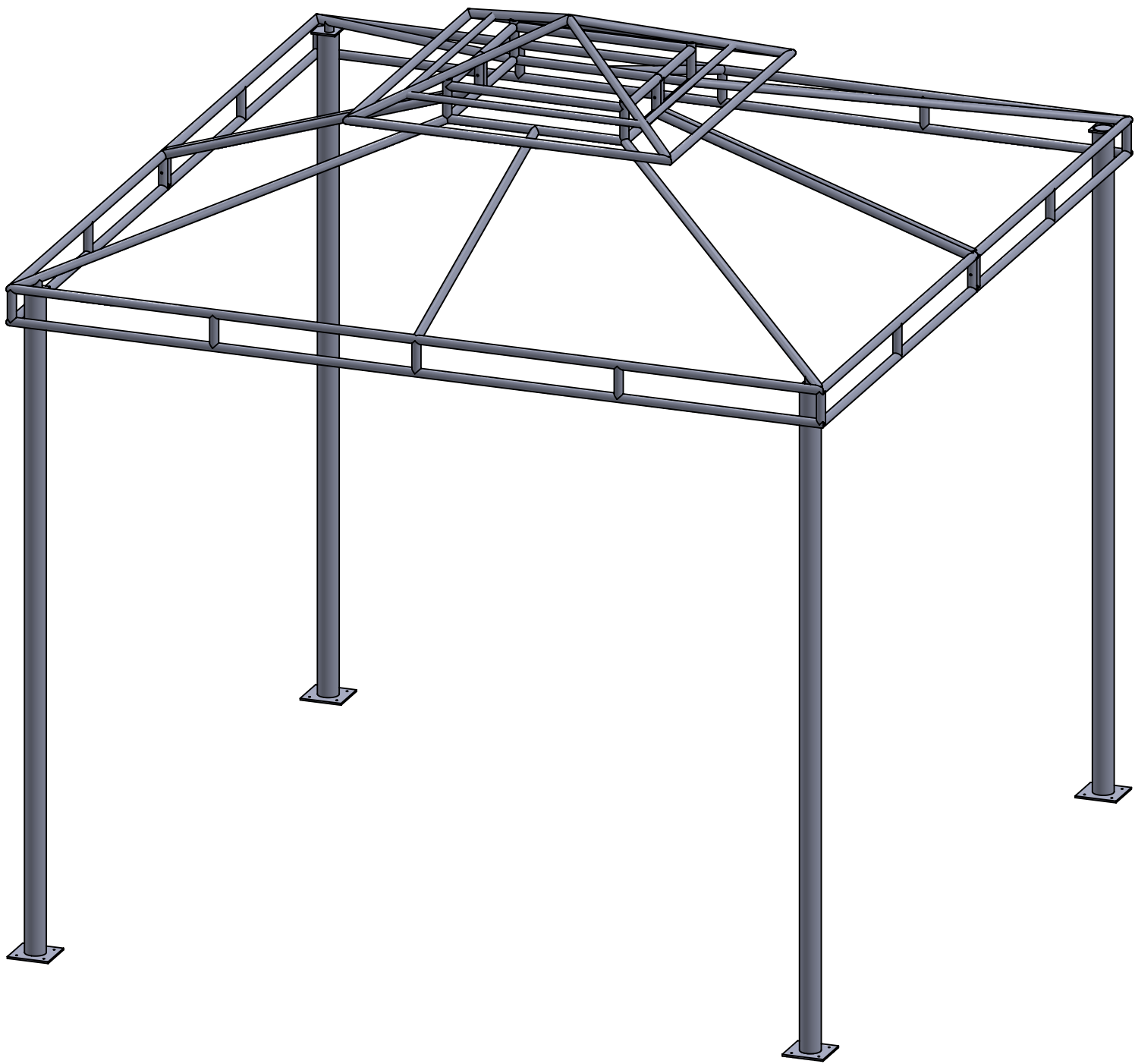
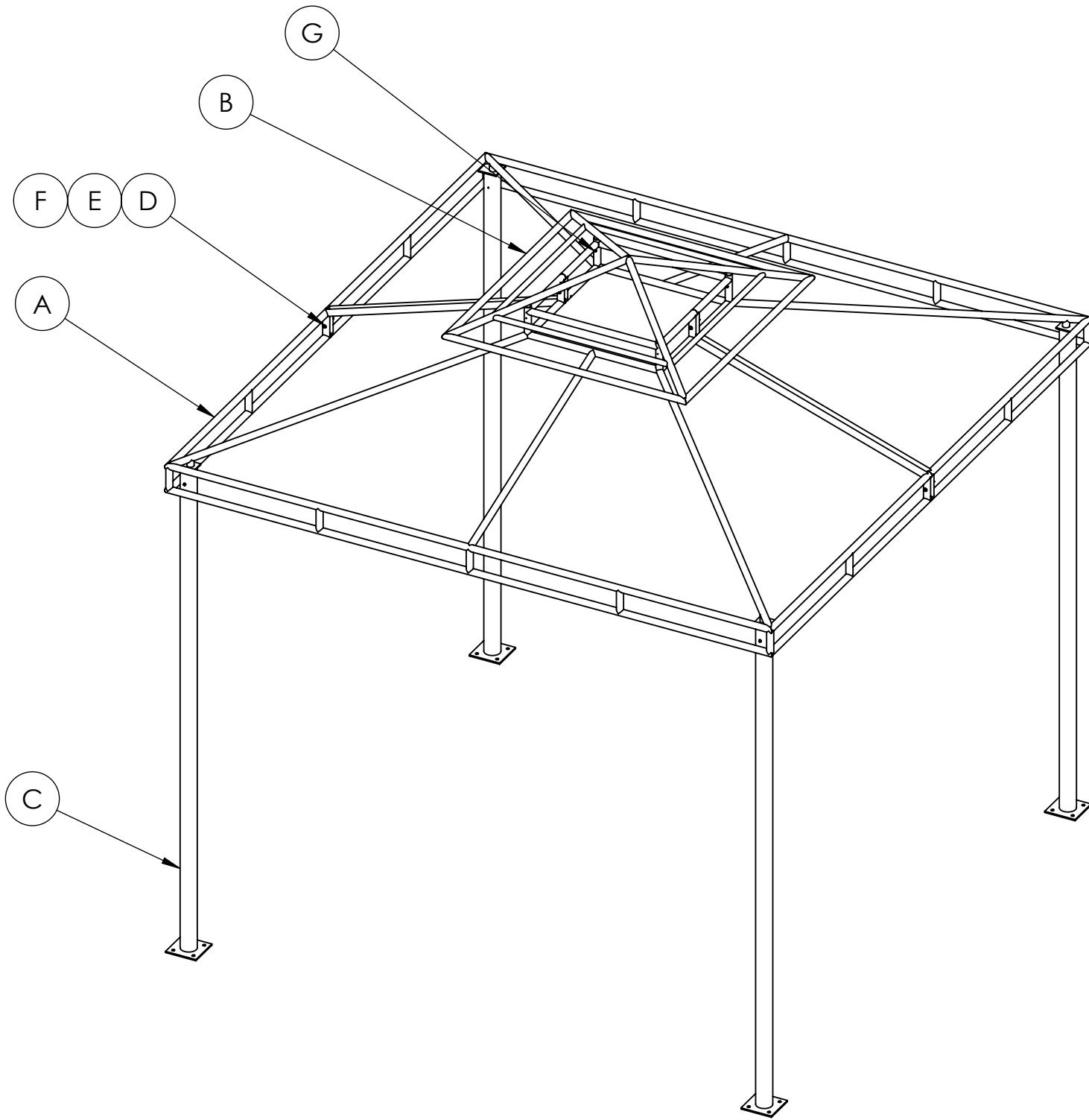




**INSTALLATION MANUAL  
OASIS VENTED CABANA 10' X 10"  
(SF-3801-656-10 IM)**

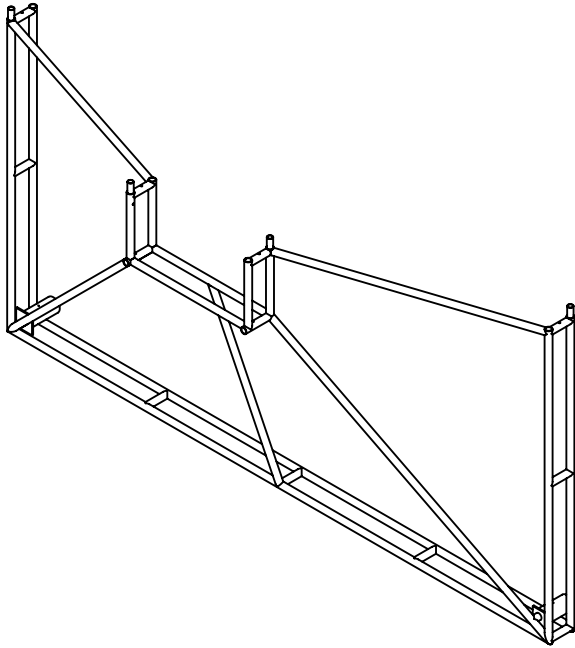


## SF-3801-656-10 IM OASIS VENTED CABANA 10' X 10"



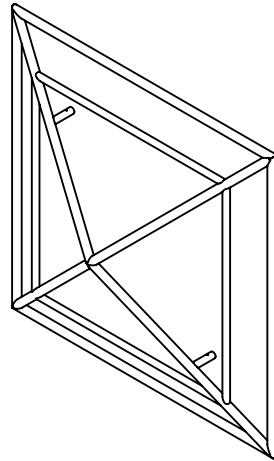
|          |                    |                             |      |
|----------|--------------------|-----------------------------|------|
| G        | HARDWARE           | HHDS #10 X 1" LG            | 8    |
| F        | HARDWARE           | LOCK NUT 1/4-20             | 4    |
| E        | HARDWARE           | FLAT WASHER FOR SCREW Ø1/4" | 4    |
| D        | HARDWARE           | BHCS 1/4-20 X 3/4" LG       | 4    |
| C        | SF-3801-656-10-A03 | VERTICAL POST               | 4    |
| B        | SF-3801-656-10-A02 | COPULA                      | 1    |
| A        | SF-3801-656-10-A01 | CABANA ROOF (10' X 10")     | 2    |
| ITEM NO. | PART NUMBER        | DESCRIPTION                 | QTY. |

**OASIS VENTED CABANA 10' X 10"**  
**(SF-3801-656-10 IM)**



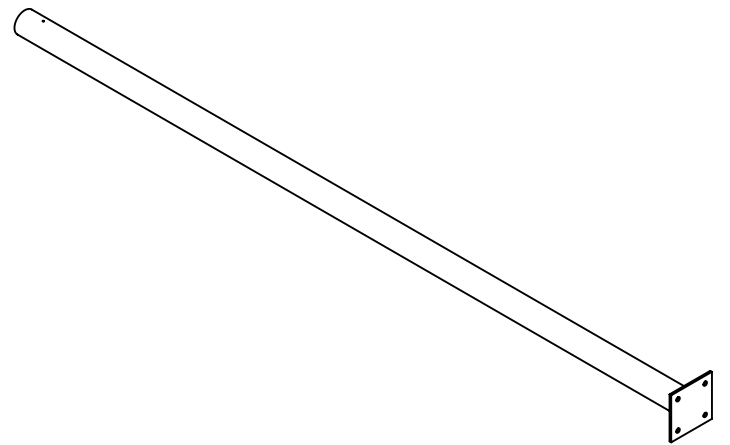
**A**

**QTY: 2**



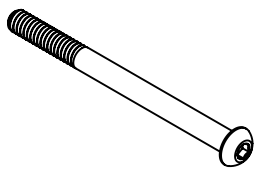
**B**

**QTY: 1**



**C**

**QTY: 4**



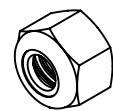
**D**

**QTY: 4**



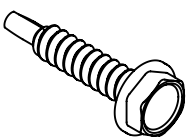
**E**

**QTY: 4**



**F**

**QTY: 4**



**G**

**QTY: 8**

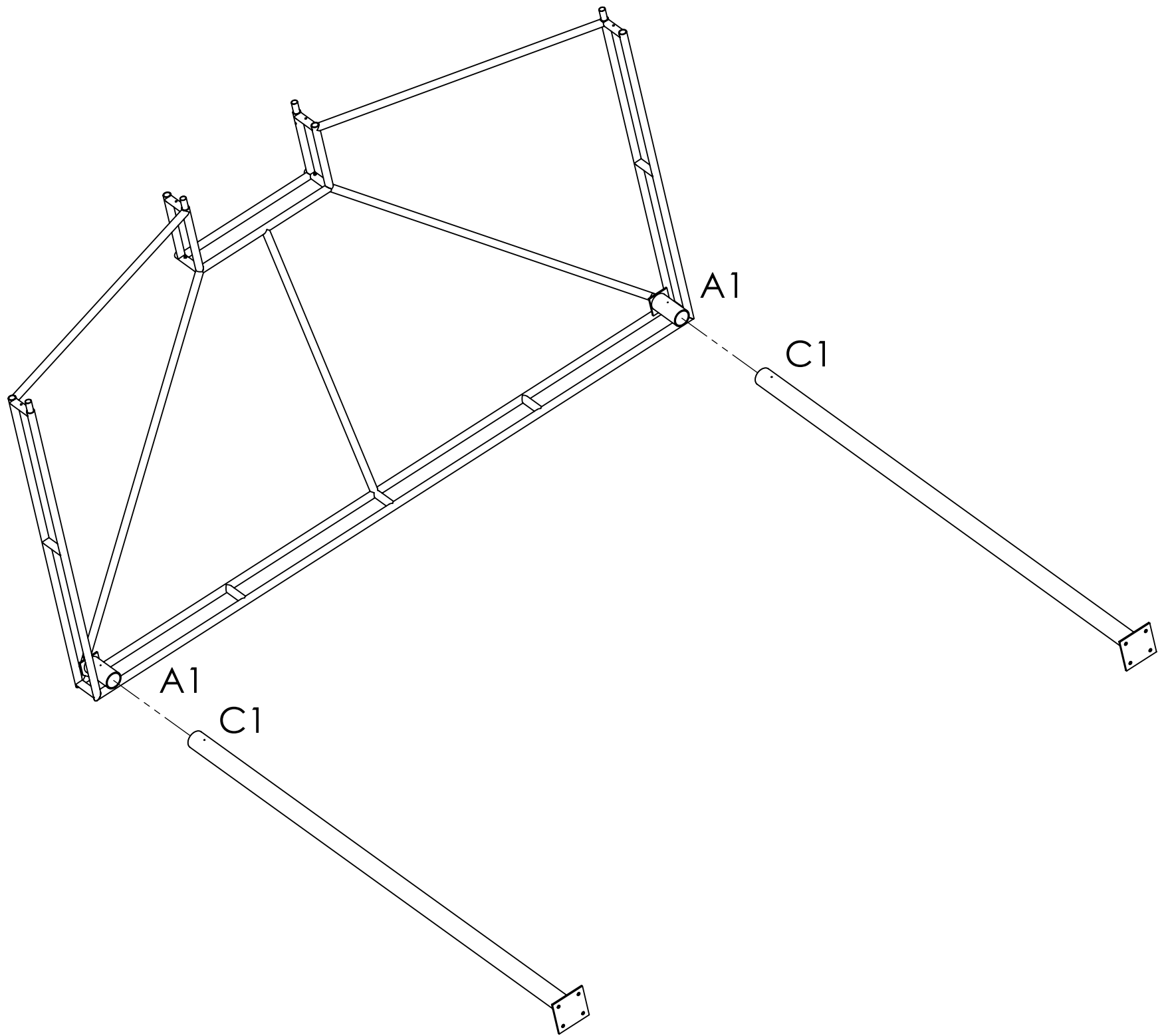
**NOTE:**

- BEFORE ASSEMBLING VENTED ROOF CABANA CLEAN SURFACE AREA AND MAKE SURE TO PLACE A CARDBOARD OR CLOTH ON THE FLOOR AS NOT TO SCRACH FLOORS.

- MAKE SURE ANCHOR SCREWS HAVE BEEN INSERTED IN GROUND.  
(ANCHORS NOT INCLUDED UNLESS REQUESTED)

**OASIS VENTED CABANA 10' X 10"**  
**(SF-3801-656-10 IM)**

**STEP 1**

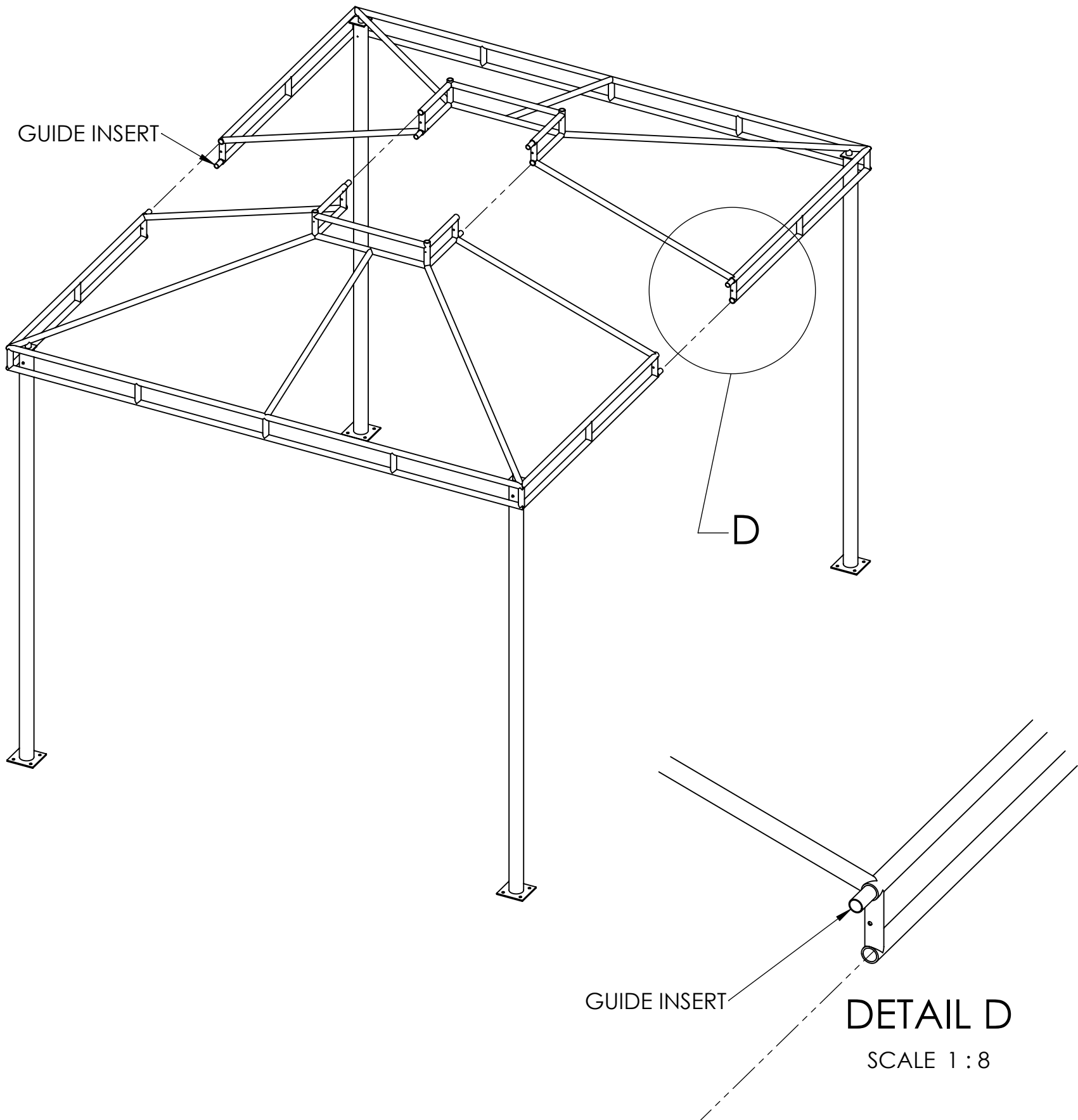


TO BEGIN ASSMBLY:

- PLACE ITEM (A) ON IT'S SIDE, WHERE THE OPEN END IS ON TOP.
- PLACE ITEM (C) ON IT'S SIDE, WHERE THE ANCHOR PLATE IS ON IT'S SIDE.
- INSERT A1 ON TO C1. (AS SHOWN)
- LOCATE SCREW HOLES AND PLACE HHDS #10 X 1" LG IN HOLE AND TIGHTEN.
- REPEAT THIS STEPS FOR THE SECOND ROOF ASSEMBLY.

**OASIS VENTED CABANA 10' X 10"**  
**(SF-3801-656-10 IM)**

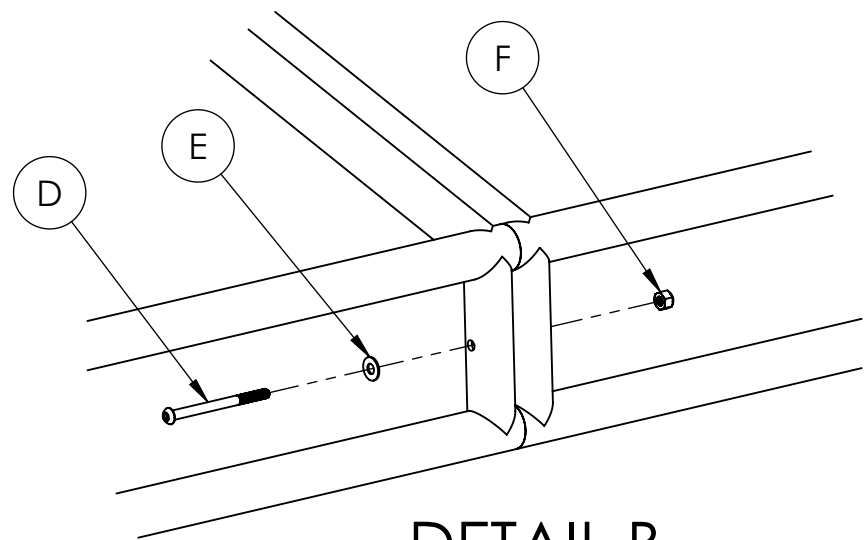
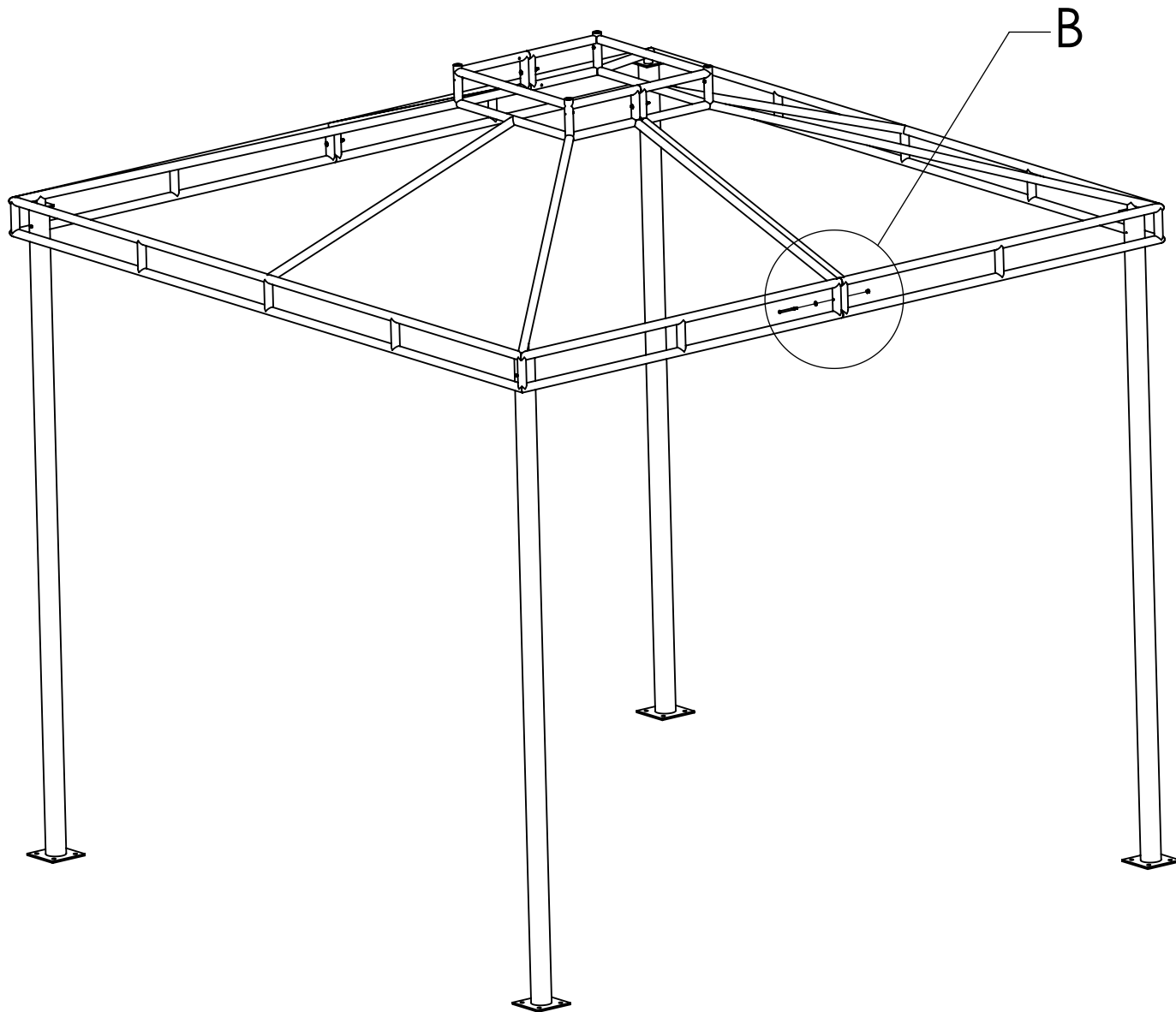
**STEP 2**



NOTE:  
- LINE UP BOTH HALVES BY LINING UP GUIDE INSERTS AT THE TOP OF ITEM (A) AND  
INSERTING THEM IN THERE PROPER LOCATION. (AS SHOWN)

**OASIS VENTED CABANA 10' X 10"**  
**(SF-3801-656-10 IM)**

**STEP 3**



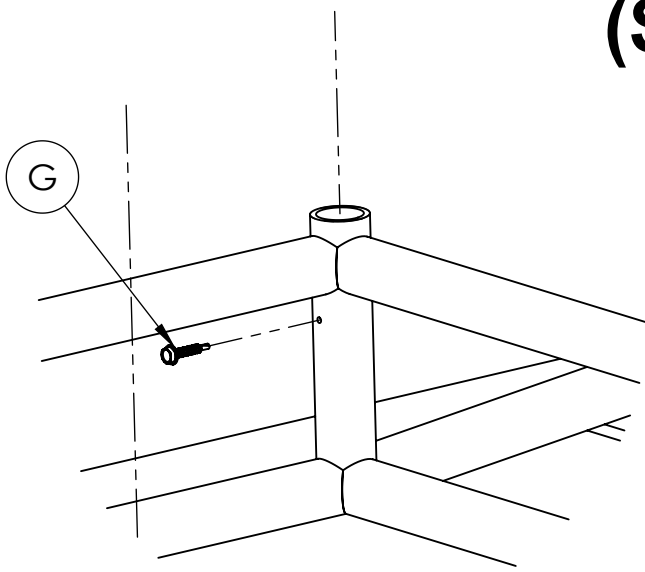
**DETAIL B**

SCALE 1 : 5

NOTE:  
- LOCATE (4) SCREW HOLES AND INSERT SCREWS, WASHERS AND FIBER NUTS  
(AS SHOWN)

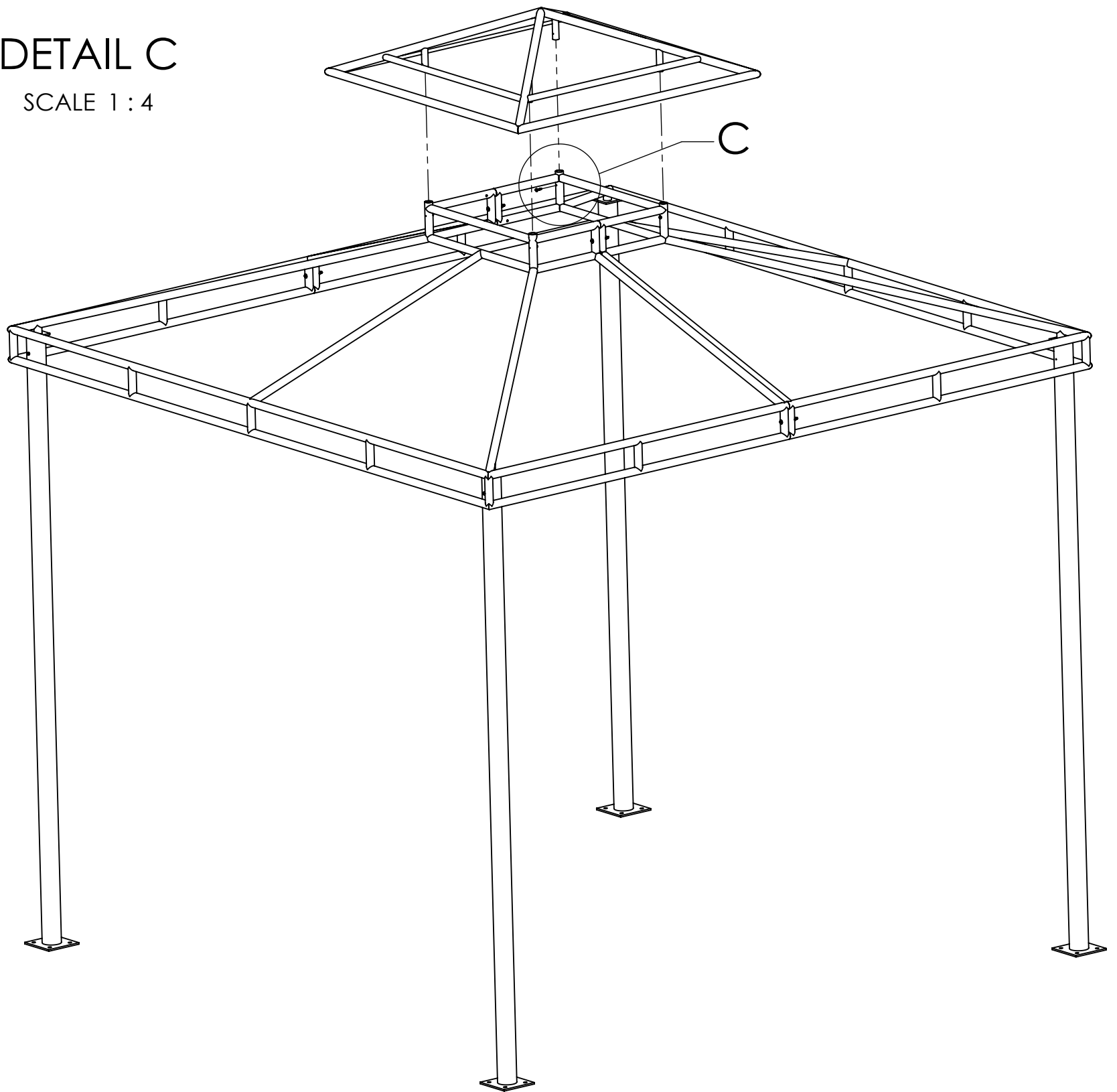
**OASIS VENTED CABANA 10' X 10"**  
**(SF-3801-656-10 IM)**

**STEP 4**



**DETAIL C**

SCALE 1 : 4



**NOTE:**

- BEFORE PLACING COPULA ON VENTED ROOF PLACE ANCHOR PLATE ON TO ANCHOR SCREWS. (WHICH SHOULD BE PLACED ALREADY ON GROUND)
- LOCATE (4) SCREW HOLES AND PLACE HHDS #10 X 1" LG IN HOLES AND TIGHTEN.