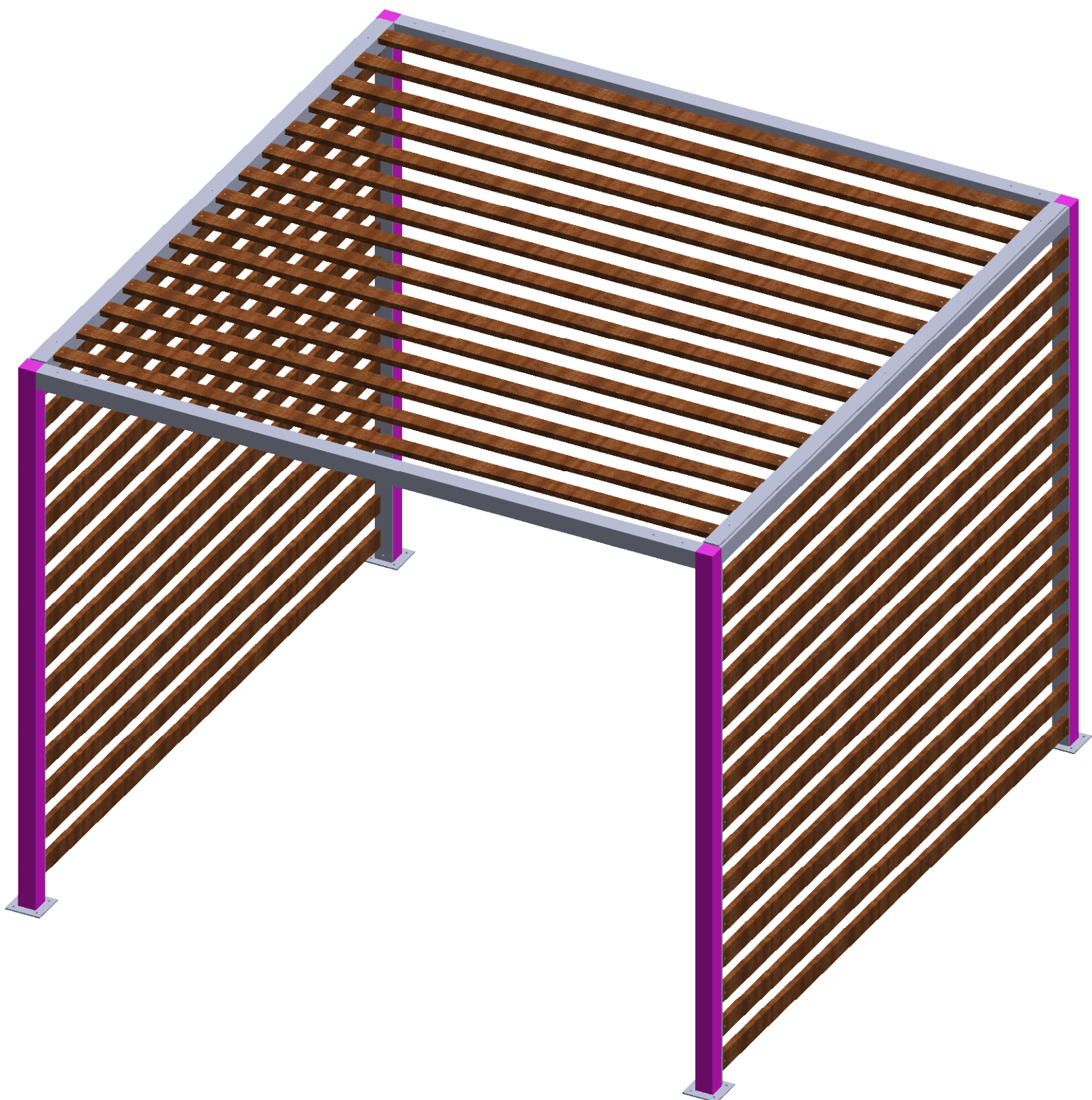
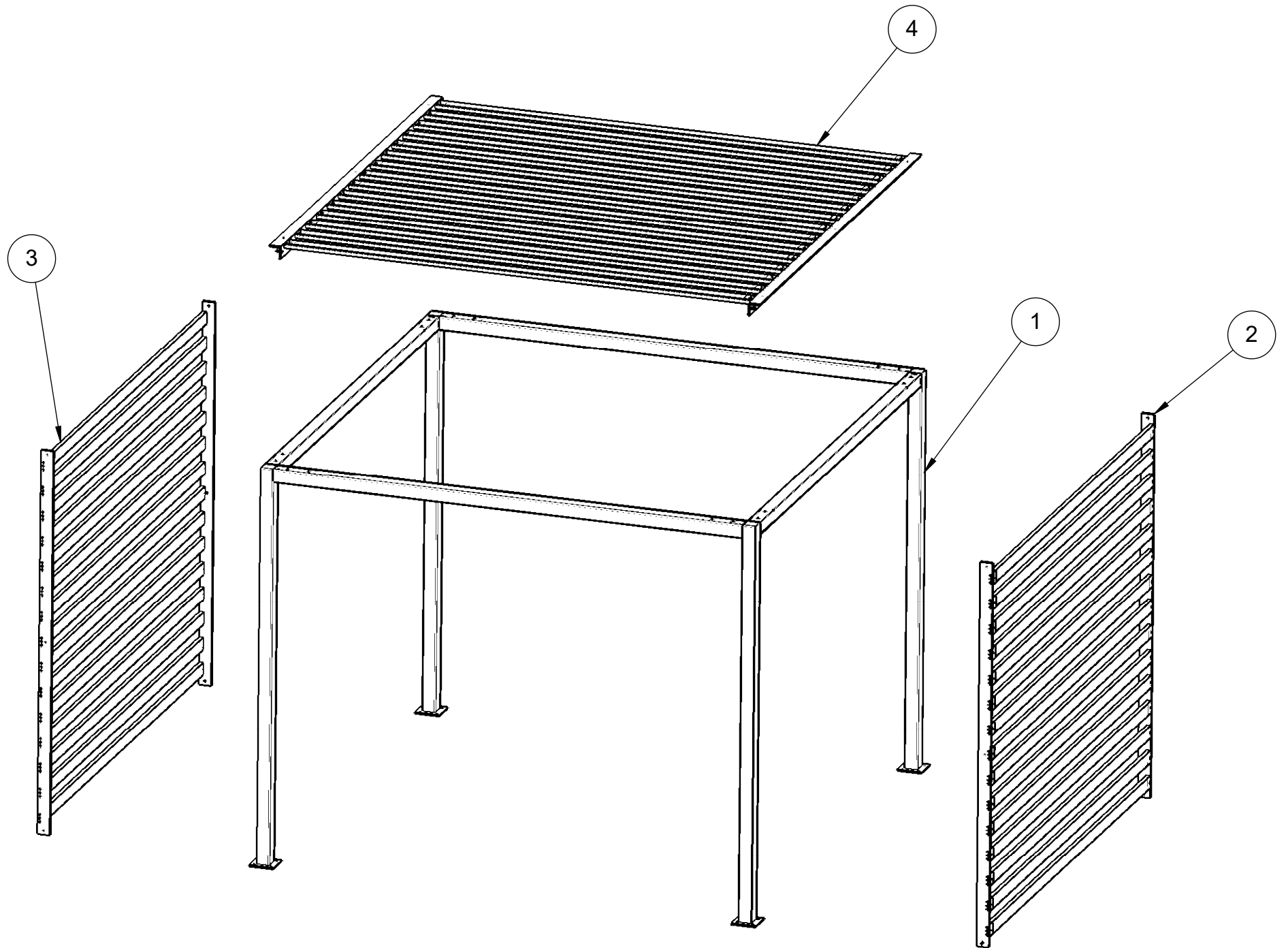




**BREEZE CABANA
INSTALLATION MANUAL
(IN-CU-3406-650)**



BREEZE CABANA

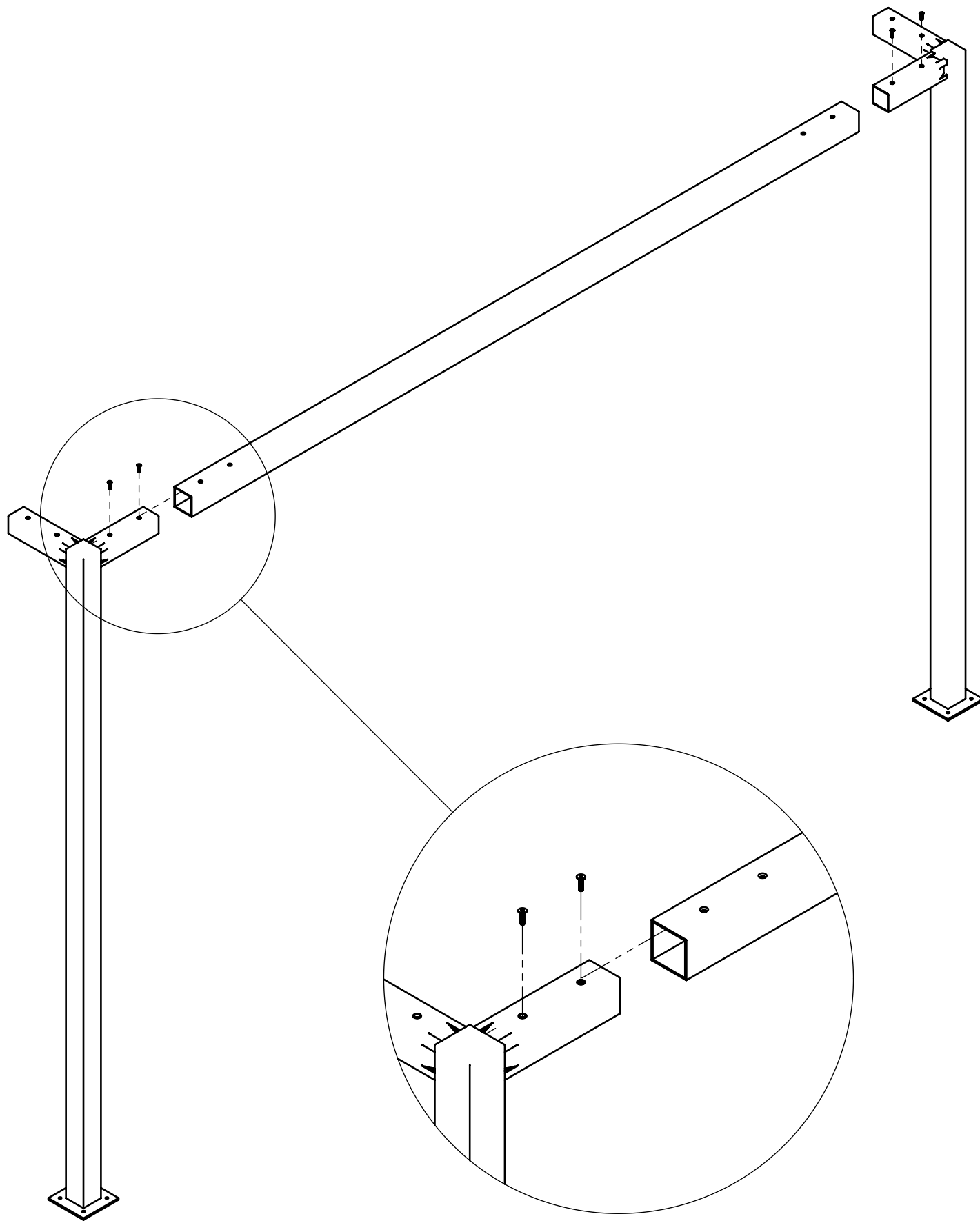


4	SF-3406-1001-8	TOP SLATS	1
3	SF-3406-2001-8	LEFT SIDE SLATS	1
2	SF-3406-2005-8	RIGHT SIDE SLATS	1
1	SF-3406-650	FRAME	1
ITEM	PART NUMBER	DESCRIPTION	QTY.

NOTE(S):
1. ANCHORS NOT INCLUDED.

BREEZE CABANA

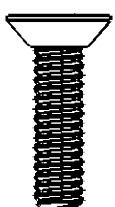
1



DETAIL A

NOTE(S):
1. ANCHORS NOT INCLUDED.

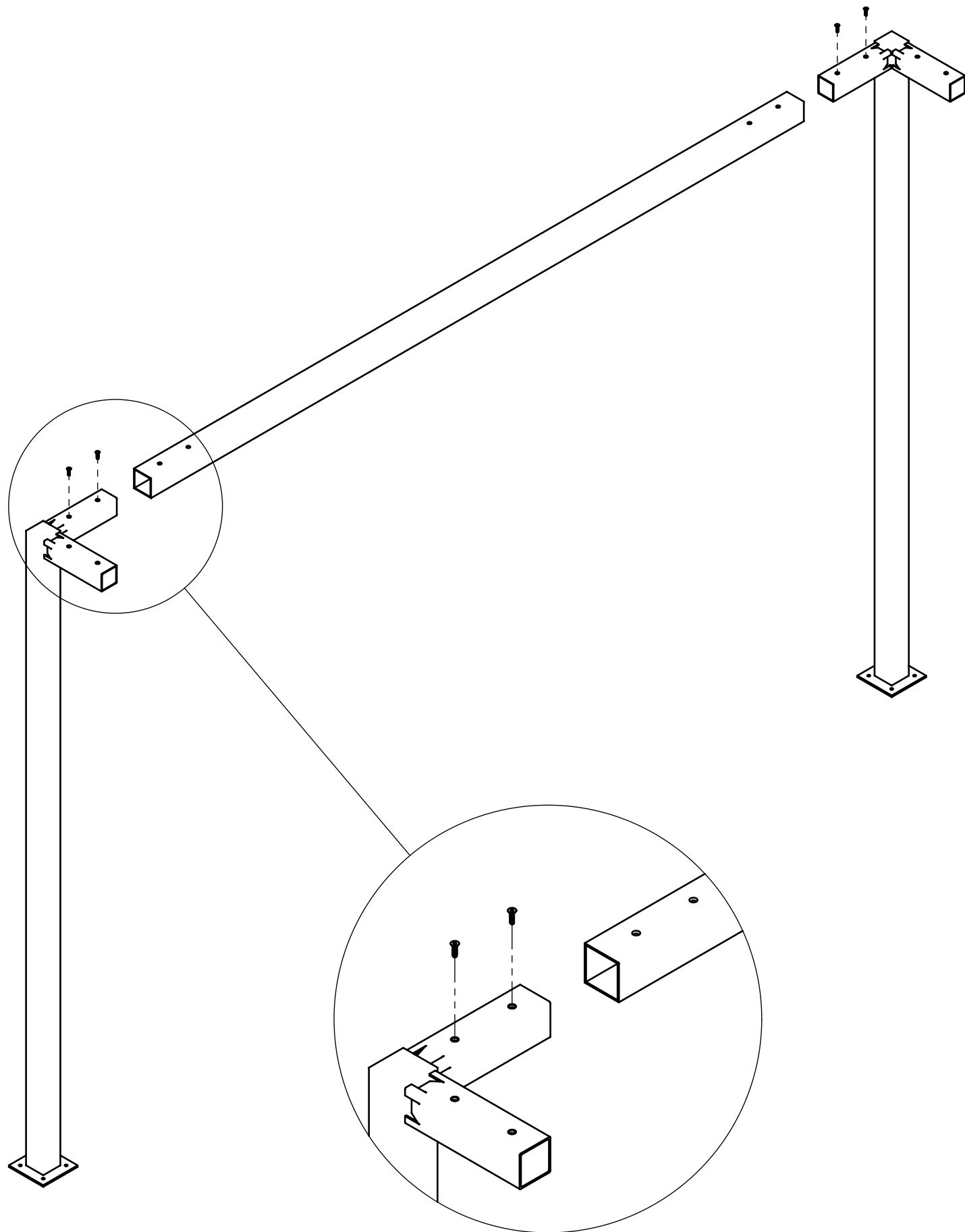
RIGHT SIDE VIEW



PN: 92210A542
Descrip: FHCS 1/4-20 X 1" LG
QTY: 4

BREEZE CABANA

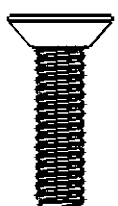
2



DETAIL B

NOTE(S):
1. ANCHORS NOT INCLUDED.

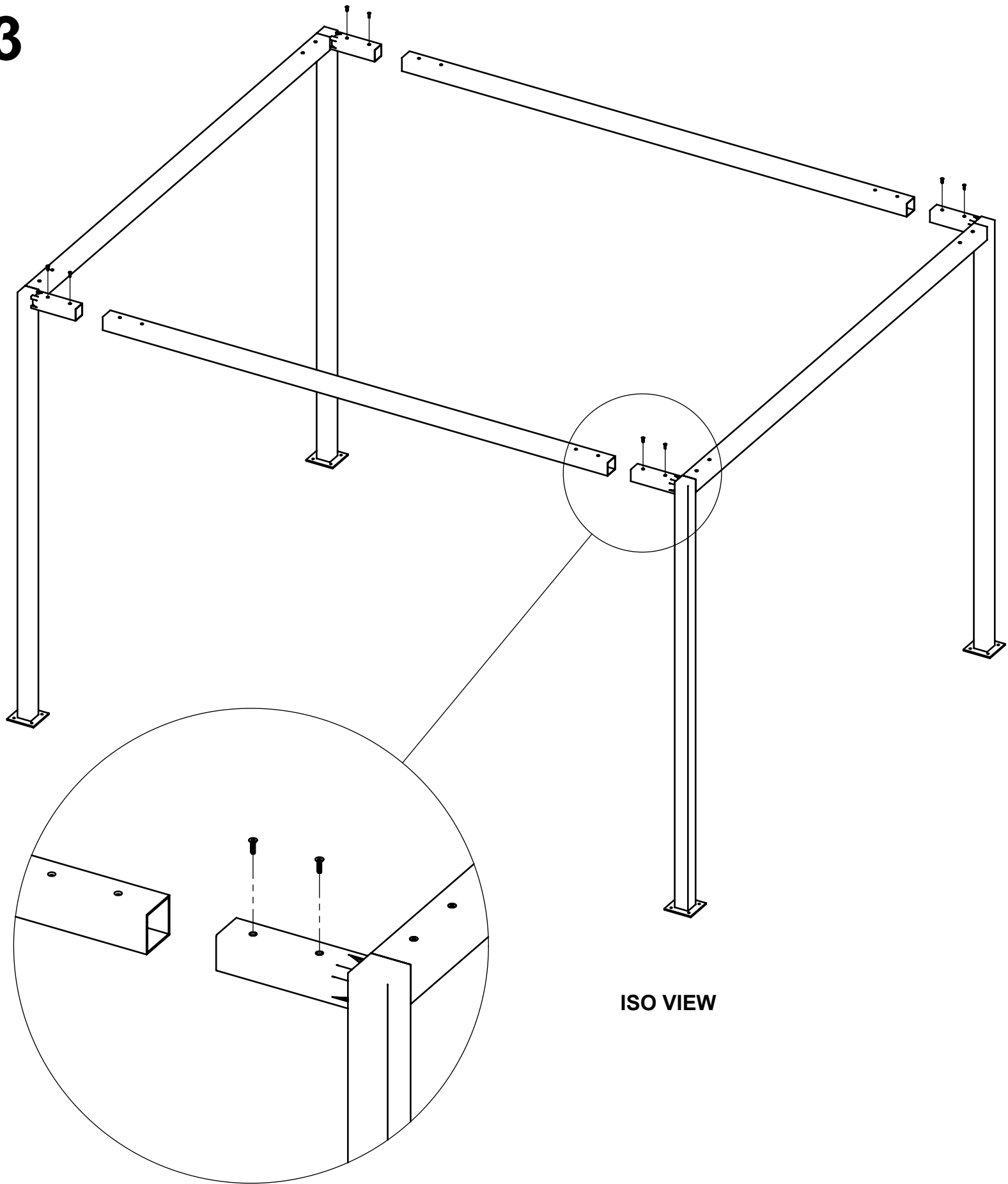
LEFT SIDE VIEW



PN: 92210A542
Descrip: FHCS 1/4-20 X 1" LG
QTY: 4

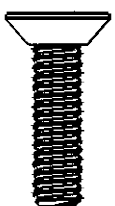
BREEZE CABANA

3



ISO VIEW

DETAIL C

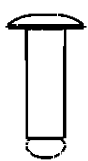
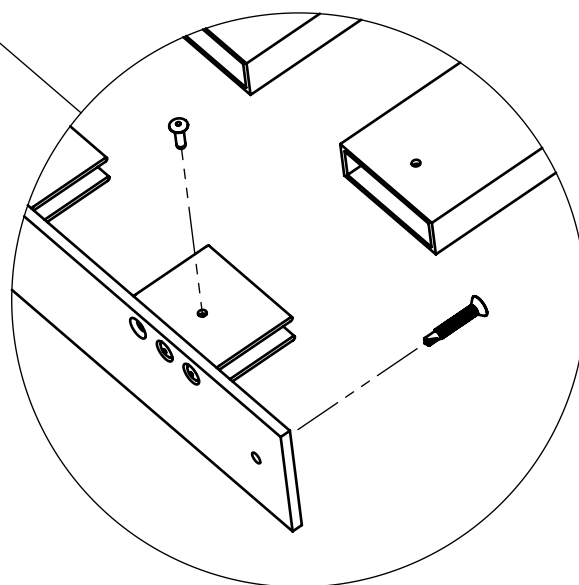
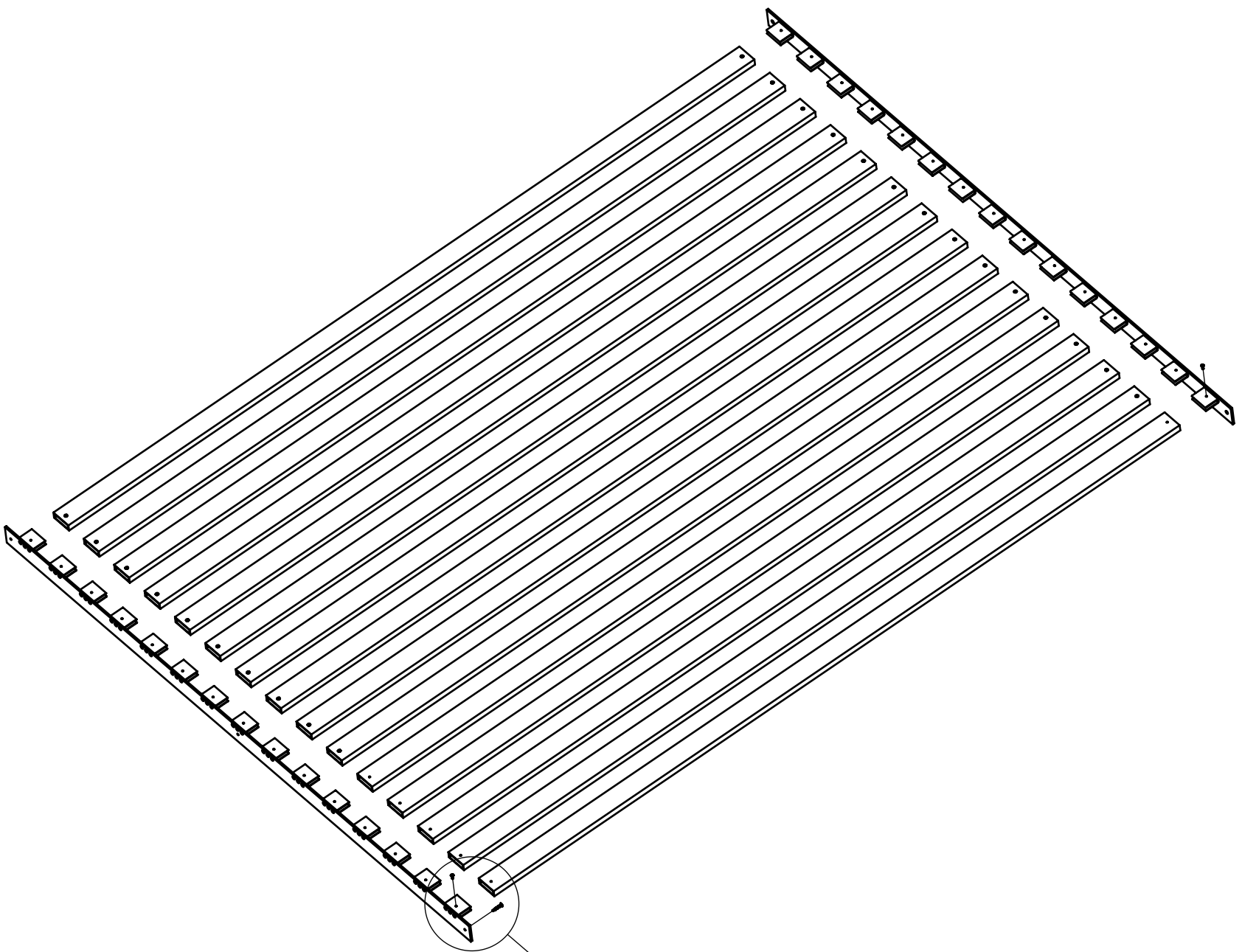


PN: 92210A542
Descrip: FHCS 1/4-20 X 1" LG
QTY: 4

BREEZE CABANA

4

LEFT / RIGHT PANELS



PN: 97447A055
Descrip: RIVET Ø 3/16"
QTY: 30



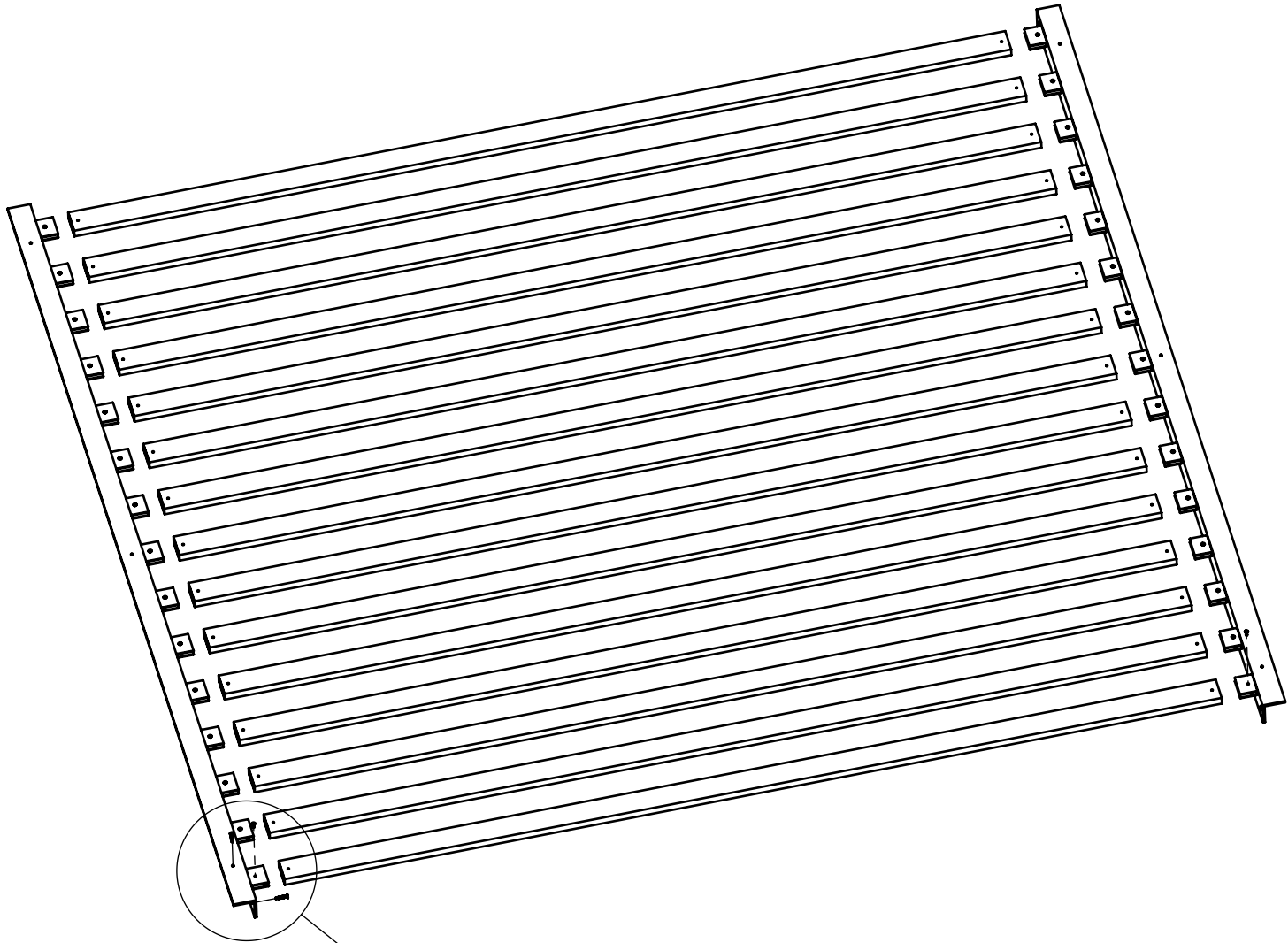
PN: 94195A395
Descrip: FHDS 1/4-20 X 1-1/2 LG
QTY: 6

DETAIL D

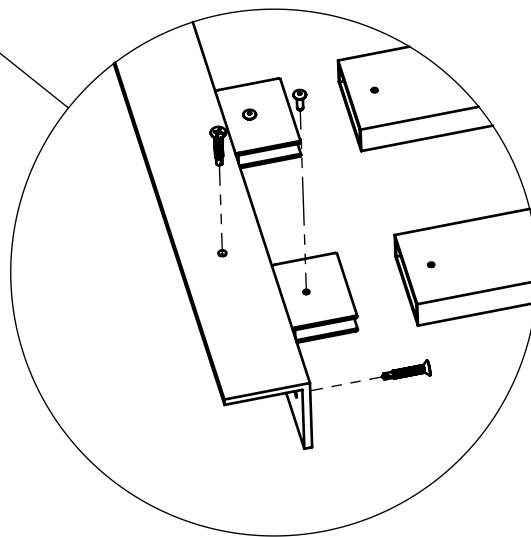
BREEZE 10' CABANA

5

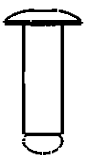
TOP PANEL



ISO VIEW



DETAIL E

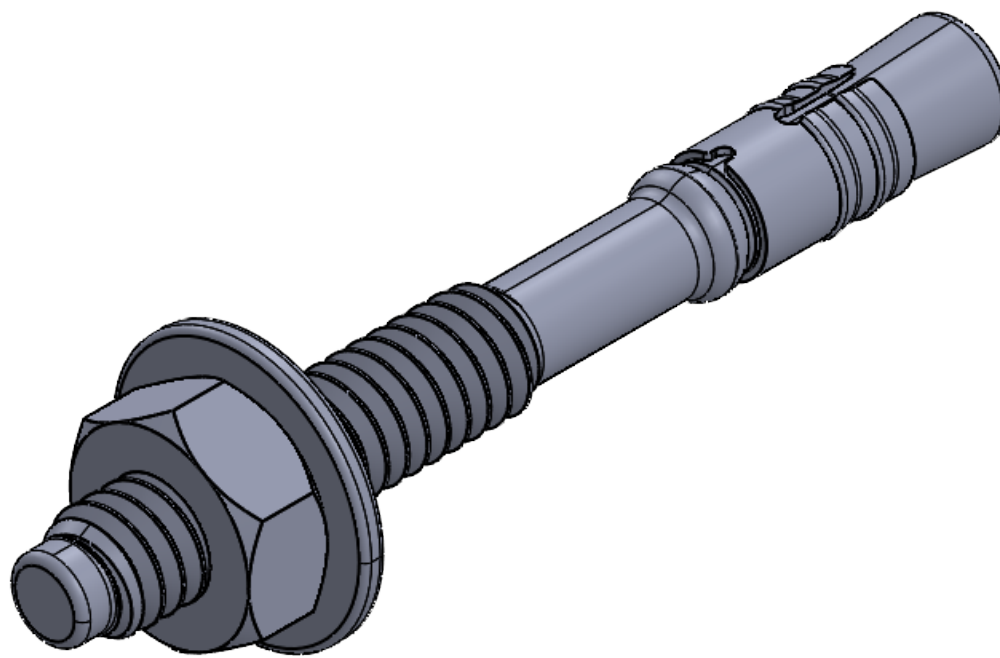


PN: 97447A055
Descrip: RIVET Ø 3/16" X 9/16" LG
QTY: 30



PN: 94195A395
Descrip: FHDS 1/4-20 X 1-1/2" LG
QTY: 12

**SOURCE FURNITURE RECOMMENDED ANCHOR:
RED HED WEDGE ANCHOR,
2-1/4" OVERALL LG, 1/4" DIA, 1/4-20 THREAD SIZE**



PART NUMBER: 15X085
MFR MODEL: SWW-1422

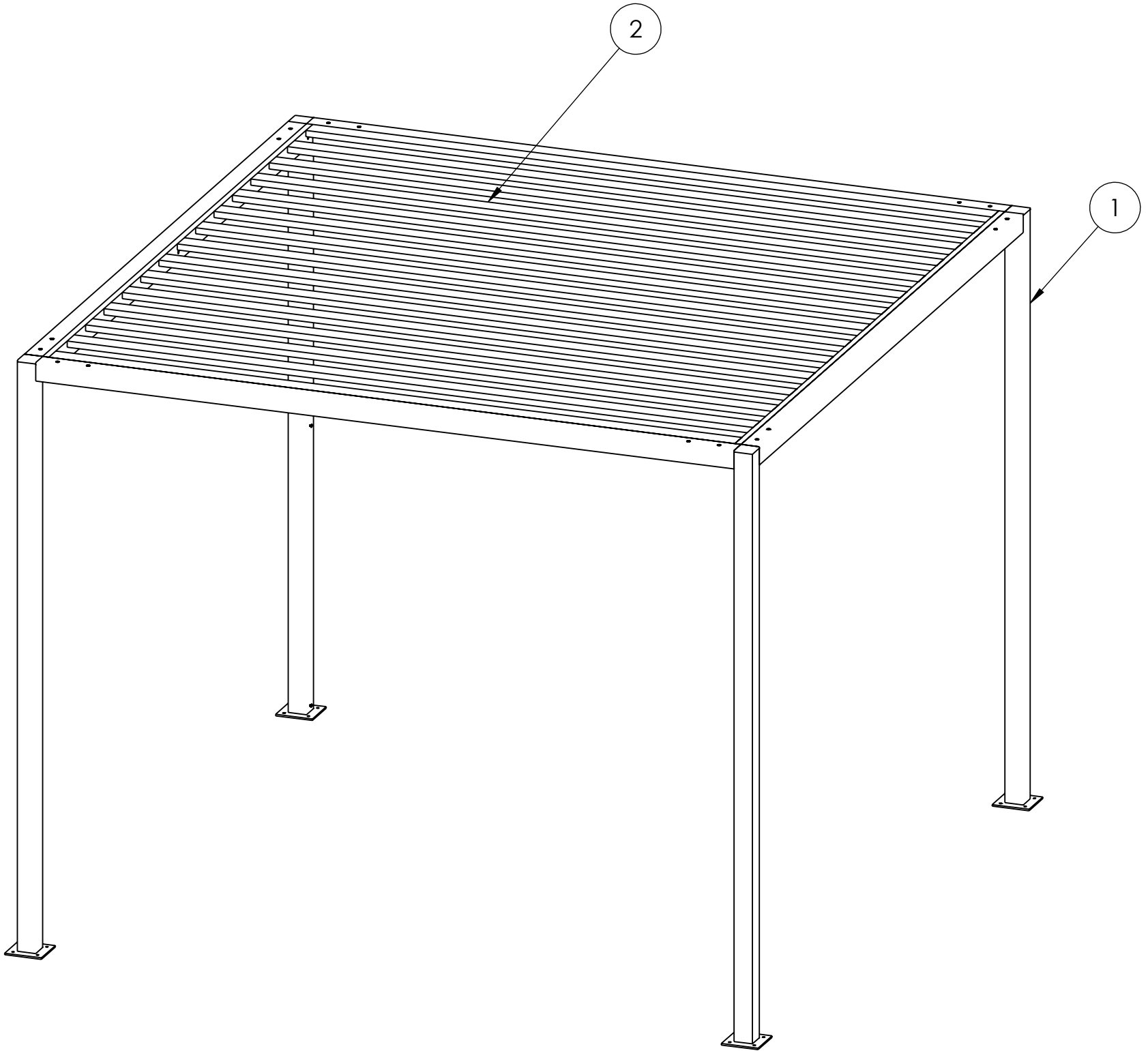
NOTE: (4) REQUIRED PER LEG.
WEDGE ANCHOR NOT SUPPLIED BY SOURCE FURNITURE.
INSTALLER MUST VERIFY LOCAL AND STATE REQUIREMENTS
OF WEDGE ANCHOR BEFORE INSTALLATION.



INSTALLATION MANUAL BREEZE CABANA



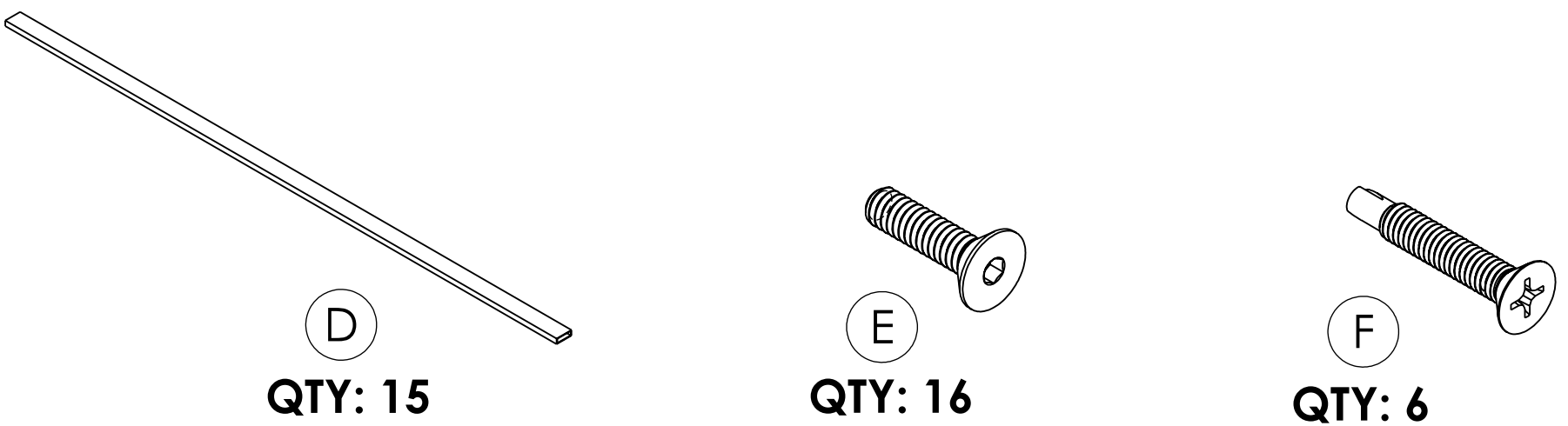
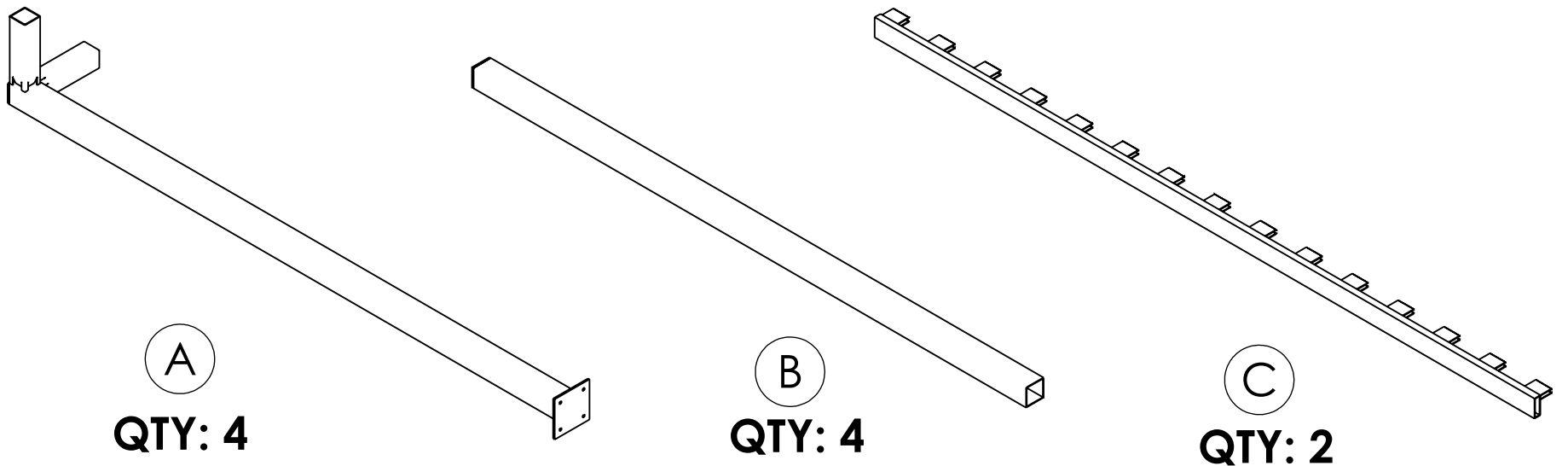
INSTALLATION MANUAL BREEZE CABANA



ITEM NO.	DESCRIPTION	QTY.
1	VERTICAL SUPPORT	4
2	TOP SLATS	1

NOTE(S):
- GROUND ANCHORS ARE NOT INCLUDED.

INSTALLATION MANUAL BREEZE CABANA



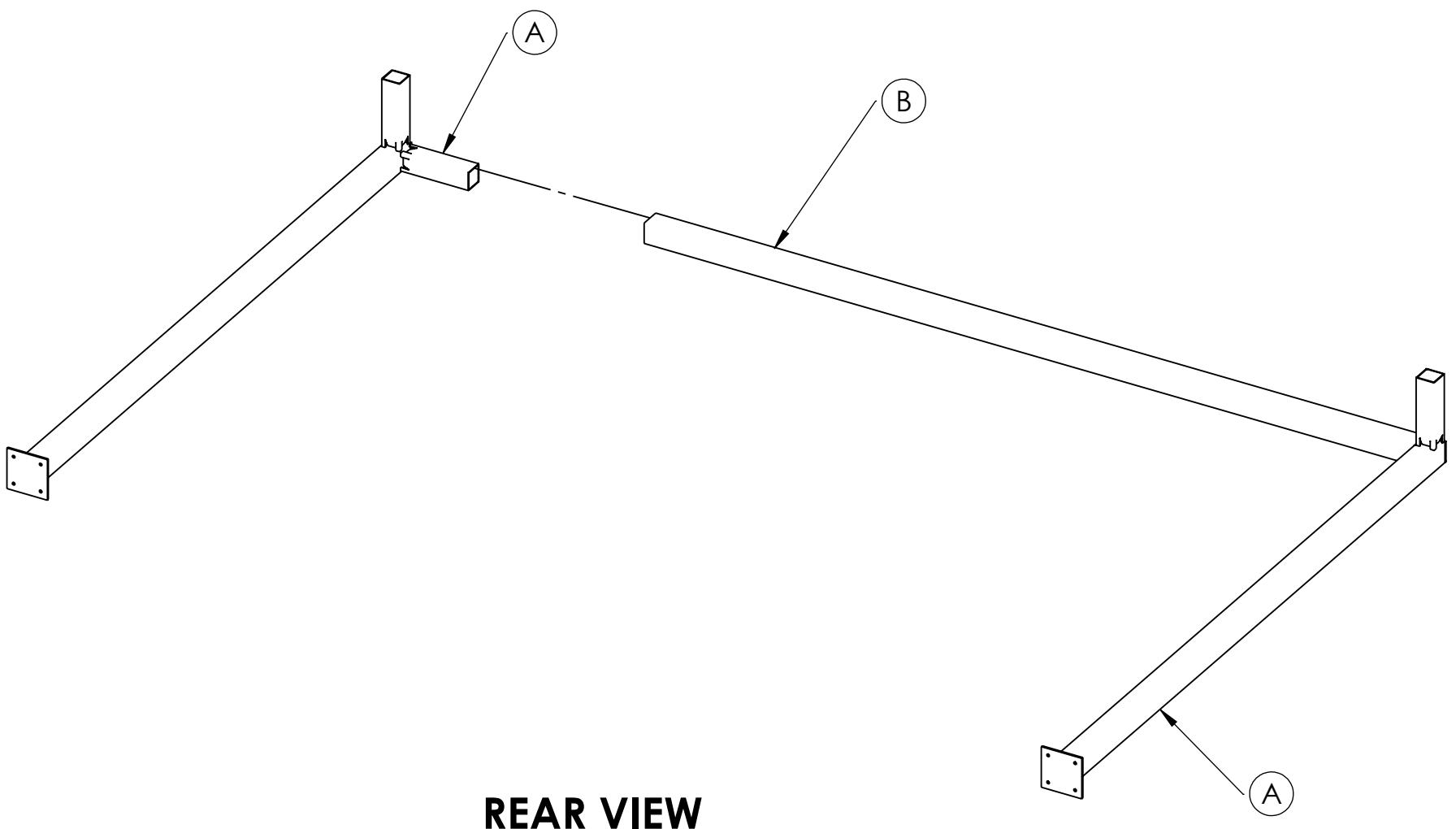
PARTS

NOTE(S):

- IDENTIFY ALL PARTS PACKED IN THE CARTON AGAINST THE PARTS LIST

- REMOVE ALL THE PROTECTIVE MATERIAL CAREFULLY AND **DO NOT** USE A KNIFE TO PREVENT SCRATCHING OF THE FURNITURE.

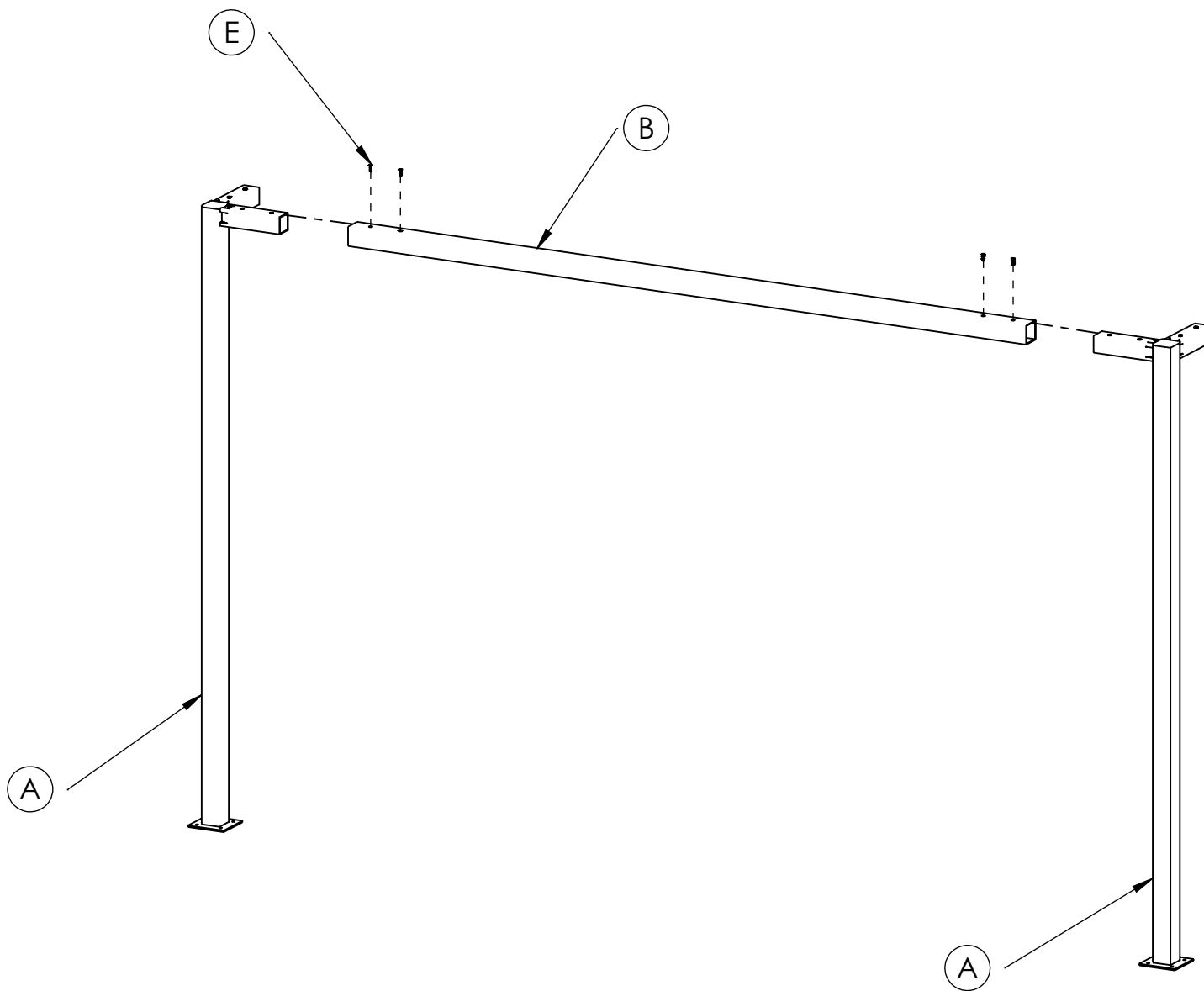
INSTALLATION MANUAL BREEZE CABANA



STEP 1

- ASSEMBLE ON A SOFT, NON-ABRASIVE SURFACE, SUCH AS A BLANKET OR CARDBOARD TO AVOID DAMAGING THE CABANA. THIS IS A TWO PERSON BUILD SO FIND ASISTANCE TO ASSEMBLE.
- LAYOUT PARTS AS SHOWN.
- SLID VERTICAL SUPPORT INTO OPENING ON OPPOSITE SIDE AND SECURE WITH FLAT HEAD SCREW 1/4"-20 X 1" Lg AND TIGHTEN. (AS SHOWN)

INSTALLATION MANUAL BREEZE CABANA

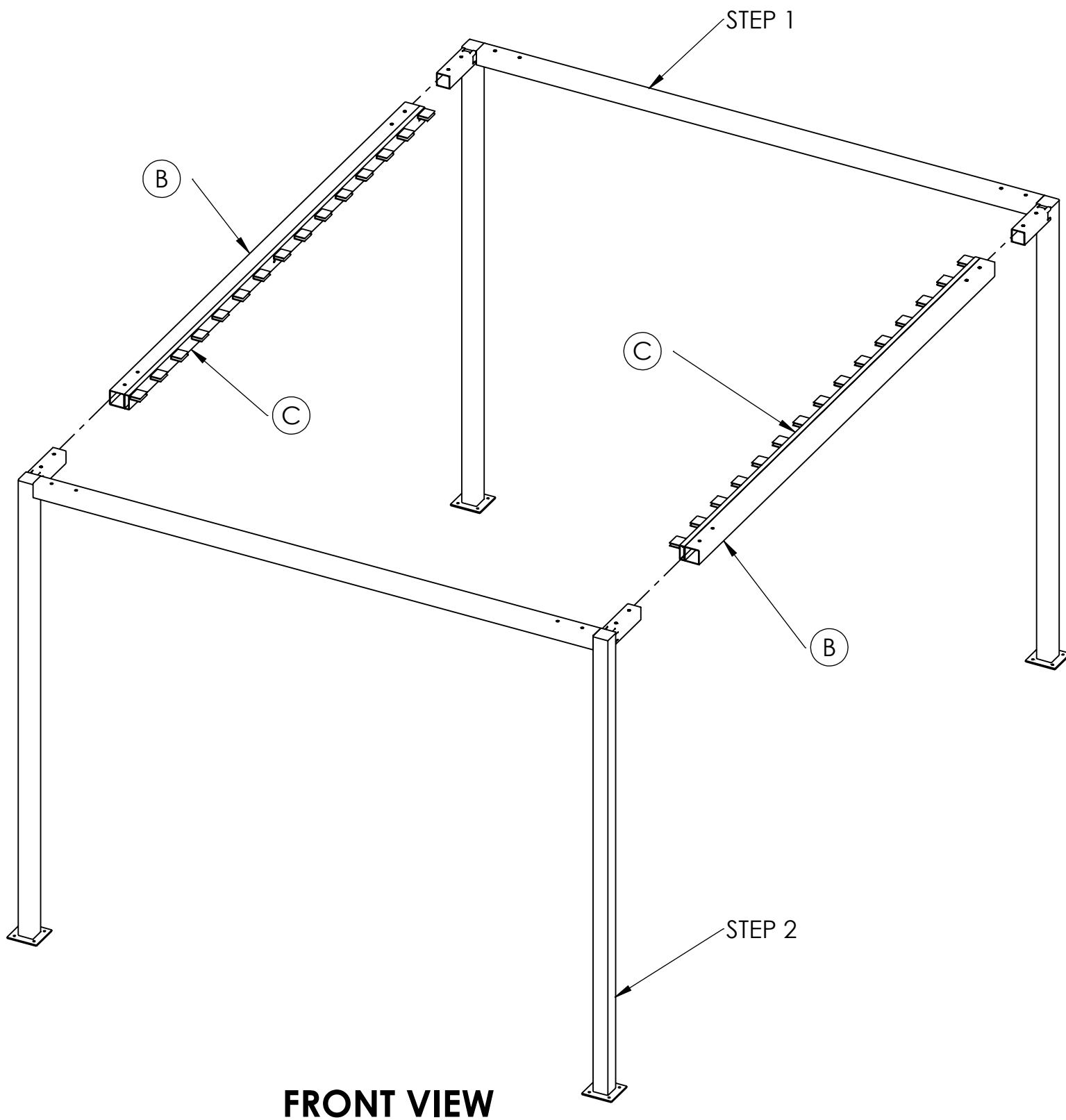


FRONT VIEW

STEP 2

- INSERT ITEM B INTO ITEM A ON BOTH SIDES AND SECURE WITH FLAT HAED SCREW 1/4"-20 X 1" Lg. (AS SHOWN)

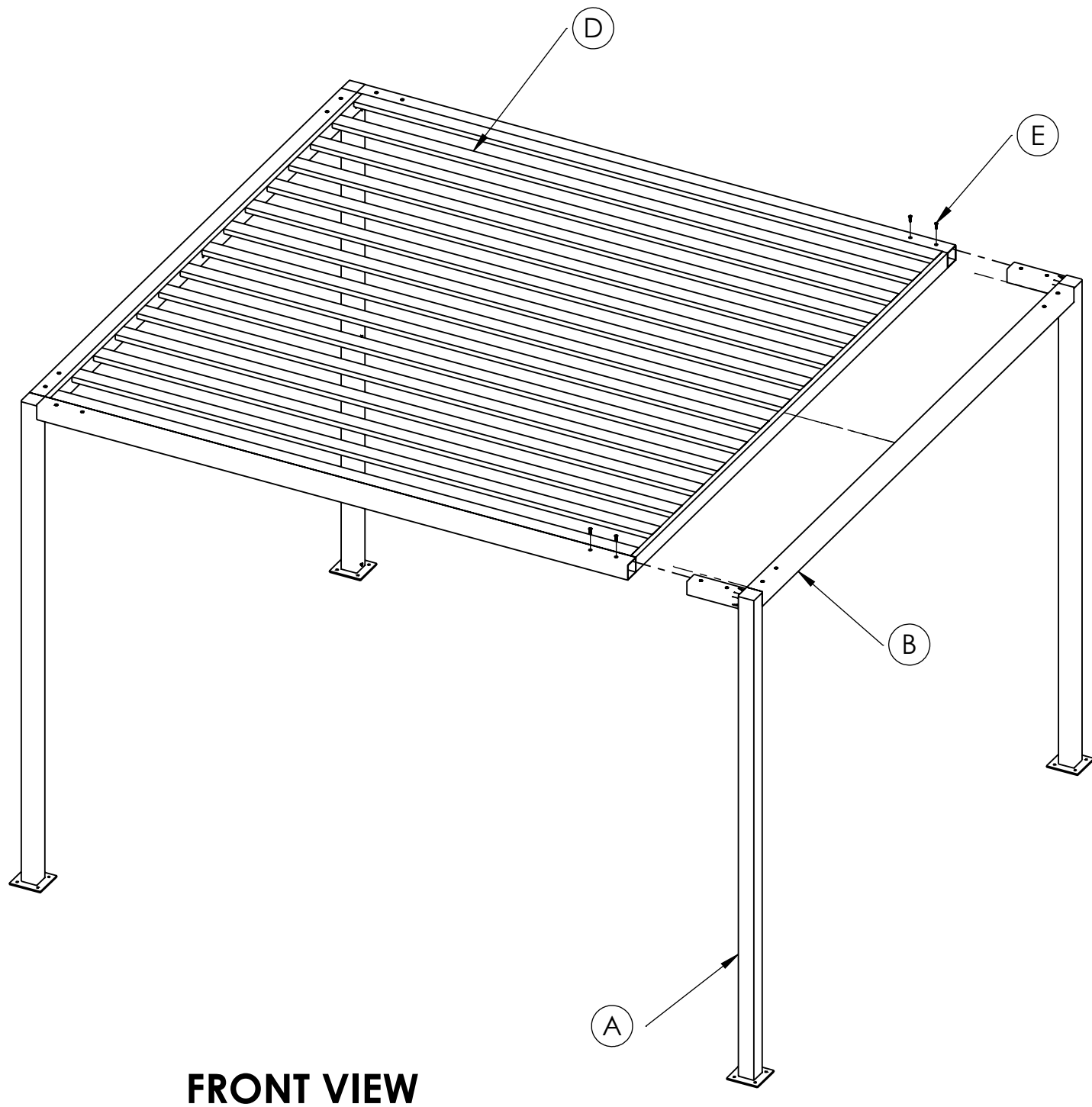
INSTALLATION MANUAL BREEZE CABANA



STEP 3

- ATTACH ITEM B INTO STEPS 1 AND 2 AND SECURE WITH FLAT HEAD SCREW 1/4"-20 X 1" Lg. (AS SHOWN)
- ATTACH ITEM C TO ITEM B AND SECURE WITH FLAT HEAD SCREW 1/4"-20 DRILLING SCREW. (AS SHOWN)

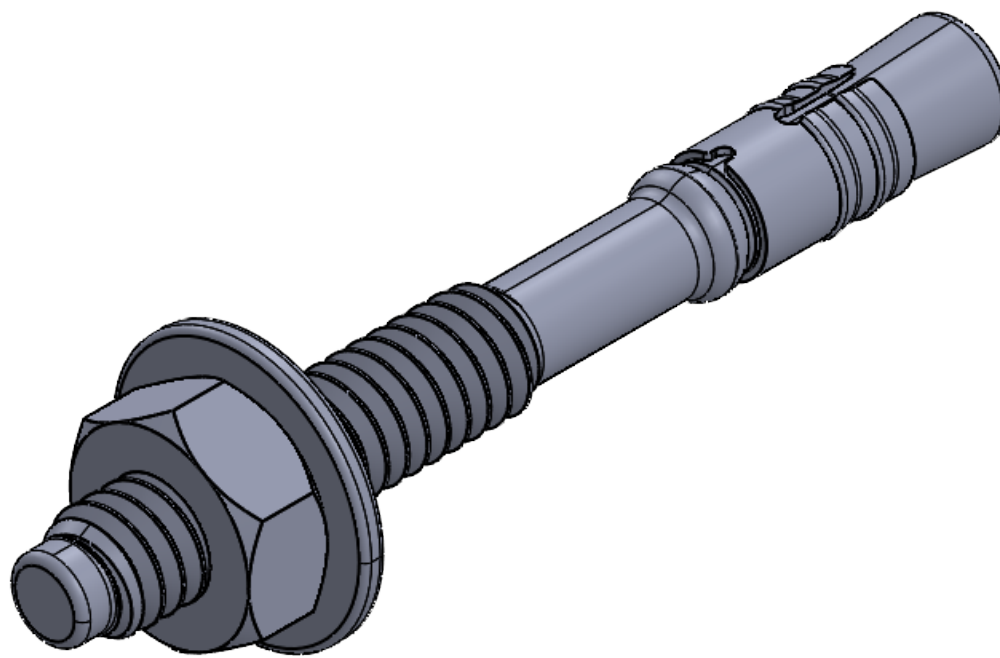
INSTALLATION MANUAL BREEZE CABANA



STEP 4

- SEPERATE ITEM A AND B SLIGHTLY TO ALOUD ITEM D TO BE SET IN PLACE. (AS SHOWN)
- SECURE AS BEFORE WITH FLAT HEAD SCREW 1/4"-20 X 1" Lg.

**SOURCE FURNITURE RECOMMENDED ANCHOR:
RED HED WEDGE ANCHOR,
2-1/4 OVERALL LG, 1/4 DIA, 1/4-20 THREAD SIZE**



PART NUMBER: 15X085
MFR MODEL: SWW-1422

NOTE: (4) REQUIRED PER LEG.
WEDGE ANCHOR NOT SUPPLIED BY SOURCE FURNITURE.
INSTALLER MUST VERIFY LOCAL AND STATE REQUIREMENTS
OF WEDGE ANCHOR BEFORE INSTALLATION.